

Receiver Powered Radial Multiswitches

Issue 1
28/03/2011

MSR508 5-Input, 8-Output Receiver Powered Multiswitch

MSR516 5-Input, 16-Output Receiver Powered Multiswitch

- Receiver Powered Satellite Multiswitches for where communal mains power is not available
- Powered by a single receiver or auxiliary power supplies
- Can be used as a mains powered radial multiswitch with V75-185 18V 500mA PSU.
- Uses a Quattro LNB for professional results (recommended Vision V85-401QT)
- Switchable 12V/100mA power for masthead amplifier
- Ideal for small IRS installations in MDU's
- Suitable for Sky, Freesat and multi-room satellite installations in domestic systems



Small blocks of apartments and houses may not have a convenient mains supply to power a conventional multiswitch. OPTIMA™ MSR multiswitches solve the problem. MSR can be powered by a single satellite receiver, an 18V power supply in each apartment or a single 18V power supply through the auxiliary DC input offering complete powering flexibility. OPTIMA™ MSR multiswitches are designed for up to 70 metres of type 100 coaxial cable between the LNB and the furthest outlet point.

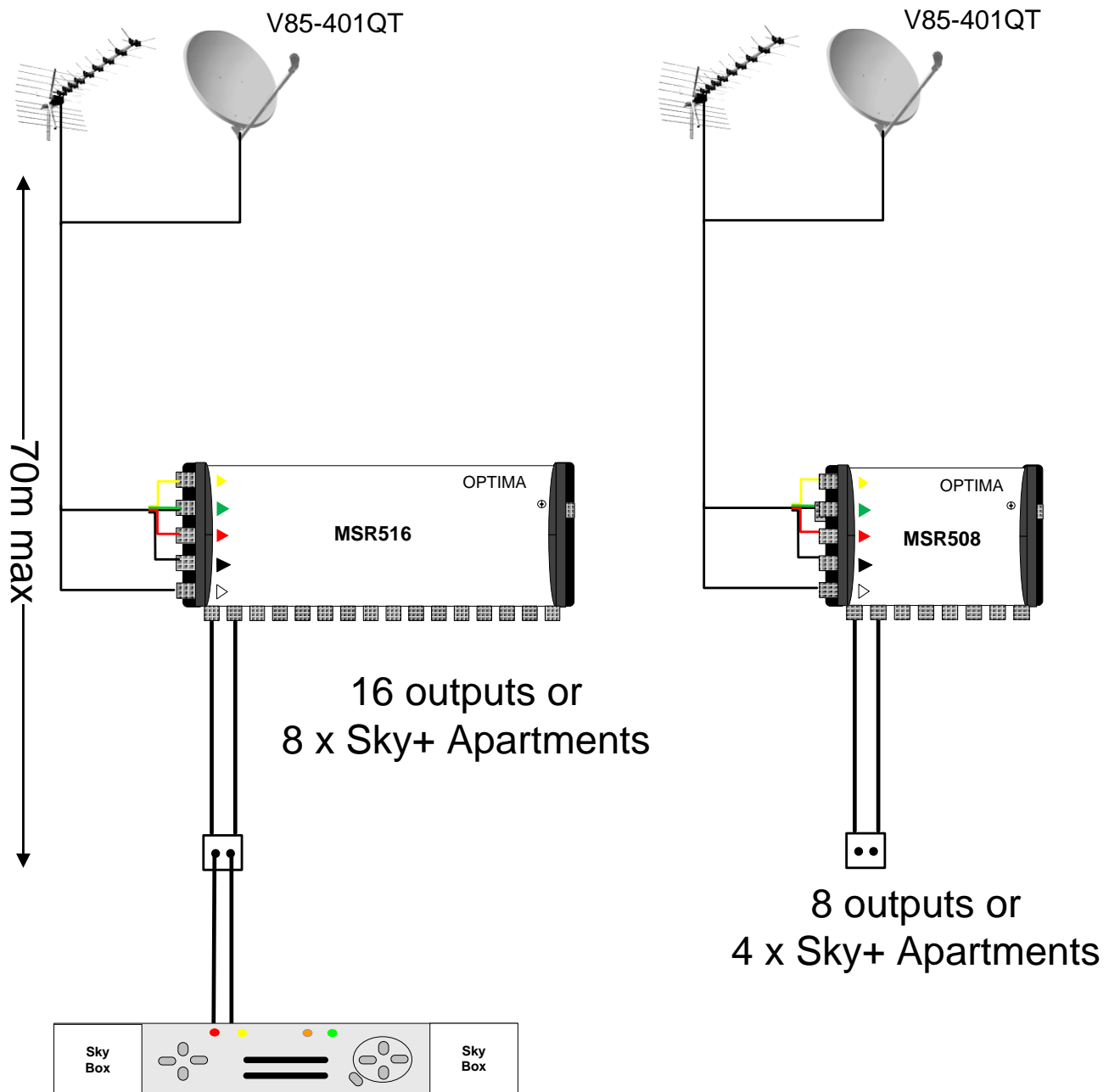
Model	MSR508	MSR516
No of outputs	8	16
No of inputs	4 x Satellite and 1 x Terrestrial	
Frequency range - Satellite	950 to 2150MHz	
- Terrestrial	40 to 860MHz	
Gain - Satellite	3dB ±2dB	
- Terrestrial	4dB ±2dB	
Max input level - Satellite	98dBµV ±2dB	
- Terrestrial	85dBµV ±2dB	
Max output level - Satellite (IMD ³ – 35dB)	102dBµV ±2dB	
- Terrestrial (IMD ³ – 60dB)	94dBµV ±2dB	
Isolation - Satellite / Satellite	>27dB	
- Satellite / Terrestrial	>30dB	
Connectors	F – Female	
Masthead switchable voltage / current (Max)	12V @ 100mA with S/C protection	
Maximum load to inputs	500mA	
Voltage / Power Consumption (excluding LNB or masthead amplifier)	13/18V 160mA max	
Temperature range	0 – +50°C	
Earth Post	1 x 9mm ²	
NB: We recommend that multipoint aerial and satellite systems are earthed to current legislation and codes of practice.		
Weight / Dimensions including connectors and earth post	0.32kg / 160 x 108 x 36mm	0.55kg / 280 x 108 x 36mm

In the interests of continued product development & improvement we reserve the right to change specifications, design and dimensions. Data correct at time of going to press.

Vision Products (Europe) Ltd, Unit 1 Redbourne Park, Liliput Road,
Brackmills Industrial Estate, Northampton NN4 7DT

www.optima-tv.com
Company Reg No. 05044212

OPTIMA™



In the interests of continued product development & improvement we reserve the right to change specifications, design and dimensions. Data correct at time of going to press.

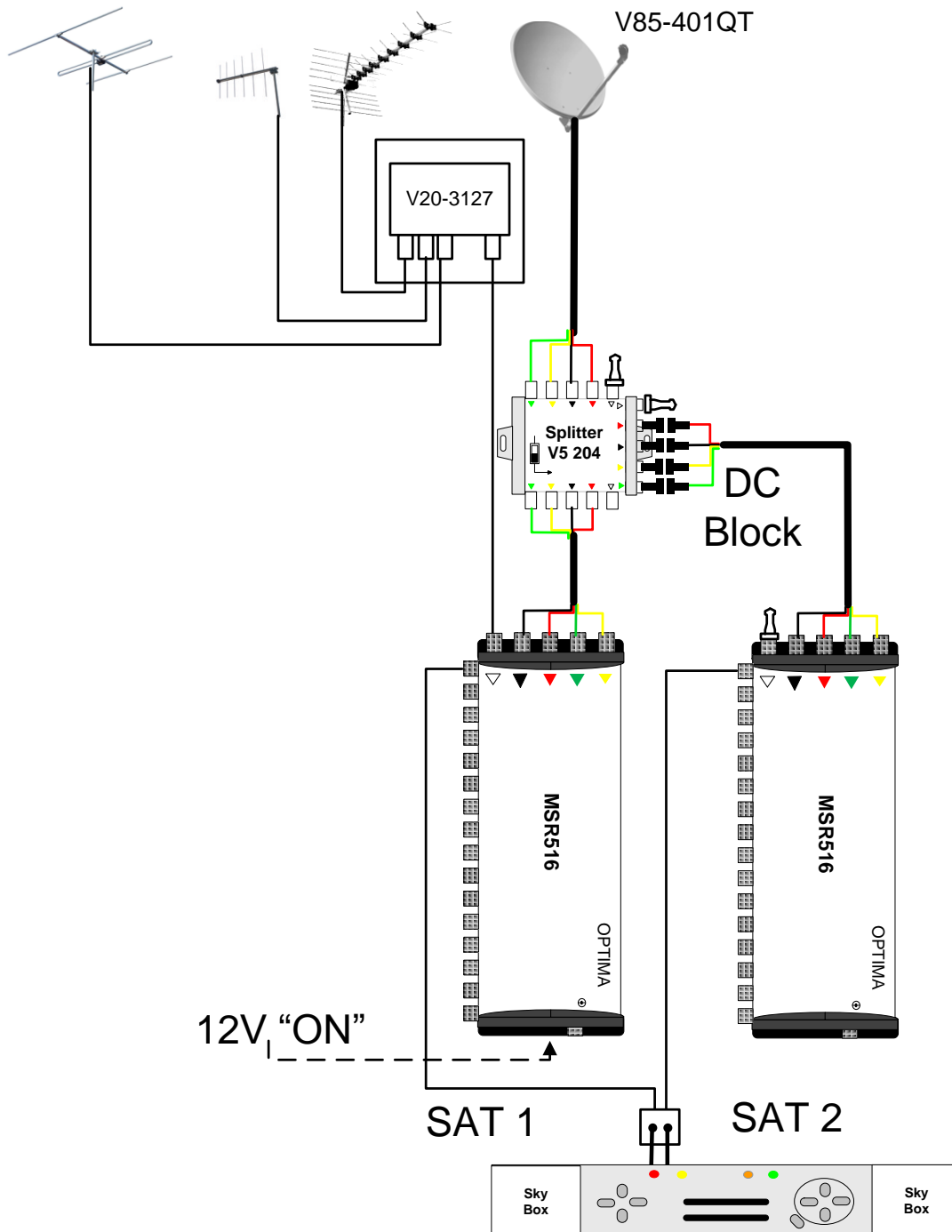
Vision Products (Europe) Ltd, Unit 1 Redbourne Park, Liliput Road,
Brackmills Industrial Estate, Northampton NN4 7DT

www.optima-tv.com
Company Reg No. 05044212

OPTIMA™

Data sheet

A maximum two OPTIMA multiswitches can be linked together. Power to SAT 1 sends DC to the LNB and the masthead amplifier. Power to SAT2 ONLY powers the multiswitch.



In the interests of continued product development & improvement we reserve the right to change specifications, design and dimensions. Data correct at time of going to press.

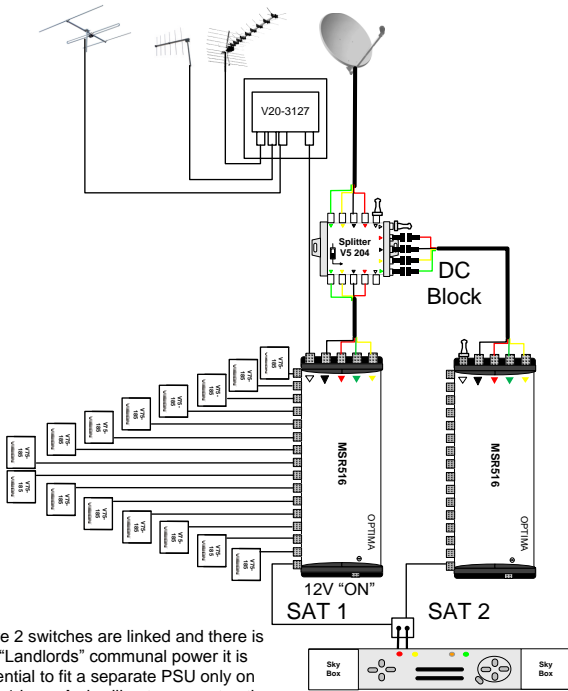
Vision Products (Europe) Ltd, Unit 1 Redbourne Park, Liliput Road,
Brackmills Industrial Estate, Northampton NN4 7DT

www.optima-tv.com
Company Reg No. 05044212

OPTIMA™

OPTIMA™

Data sheet



Where 2 switches are linked and there is no "Landlords" communal power it is essential to fit a separate PSU only on switch 1 in **each** dwelling to guarantee the terrestrial signal is available at all times.
Use V75-185 x number of dwellings

To guarantee the terrestrial signal is always available, power should be inserted at every dwelling. This will ensure that power for the internal and masthead amplifiers is always available even when no satellite receivers are connected.

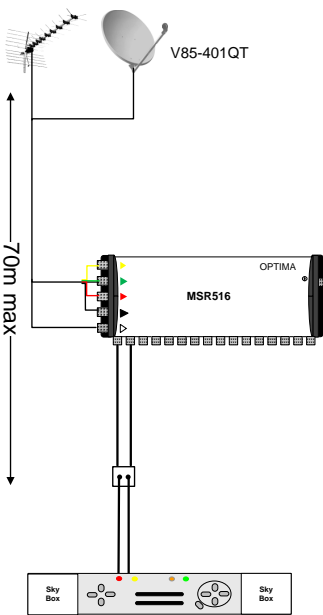
We recommend using a Vision V85-401QT Quattro LNB. This has very low current consumption at 90mA.

A satellite receiver has a typical maximum current available at the input of 350mA.

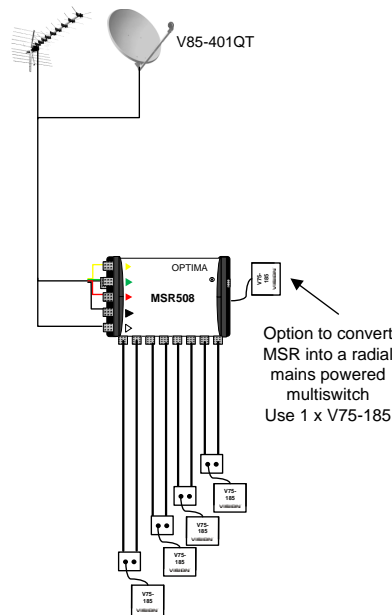
The current budget is as follows

MSR508/516 current	18V	160mA
V85-401QY		90mA
V20-3127 masthead amplifier		<u>45mA</u>
Total requirement		295mA

Overloading a satellite receiver may cause shut down of the system or failure to select the correct polarity.



MSR Receiver Powered Multiswitches can be powered by a single satellite receiver



In multiple dwelling units. Where no receiver is connected and there is no "Landlords" communal power it is essential to fit a separate PSU in **each** dwelling to guarantee the terrestrial signal is available at all times.
Use V75-185 x number of dwellings

In the interests of continued product development & improvement we reserve the right to change specifications, design and dimensions. Data correct at time of going to press.

Vision Products (Europe) Ltd, Unit 1 Redbourne Park, Liliput Road,
Brackmills Industrial Estate, Northampton NN4 7DT

www.optima-tv.com
Company Reg No. 05044212

OPTIMA™