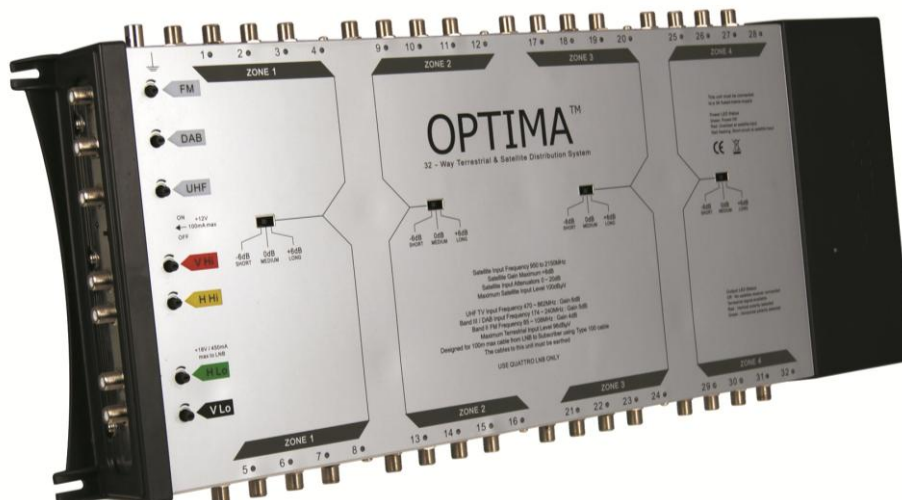


32 Output Terrestrial and Satellite Distribution System

TSDS32 7-Input (FM, DAB, UHF, SAT x 4) 32 outputs



- Complete satellite and terrestrial distribution system in a single unit
- Separate input level controls for each frequency band and satellite polarity
- Switchable gain (+6dB, 0dB, -6dB) in blocks of 8 outputs to balance subscriber cable lengths
- Subscriber port polarity selection indicators
- Switch-mode power supply for reliability and cool running
- 12V / 100mA power for masthead amplifier
- Up to 100m cable length from dish/LNB to subscriber**

The TSDS32 is an ideal solution in small blocks of apartments where up to 16 dwellings require Freesat and Sky+HD™. This integrated system has all that is normally required** to provide all 32 outputs with full access to all frequencies. TSDS32 has input level controls to balance signal levels and added switchable gain settings for each bank of 8 outputs. This is ideal where it is necessary to balance long and short subscriber cable runs of up to 100m.

Each output is equipped with an LED polarity indicator to aid diagnosing reception problems by showing which polarity the receiver is requesting, (red for vertical and green for horizontal), making sure that diagnosing the receiver problems away from the apartment is really easy. Further diagnostic indication is incorporated into the power supply for overload and short circuit protection.

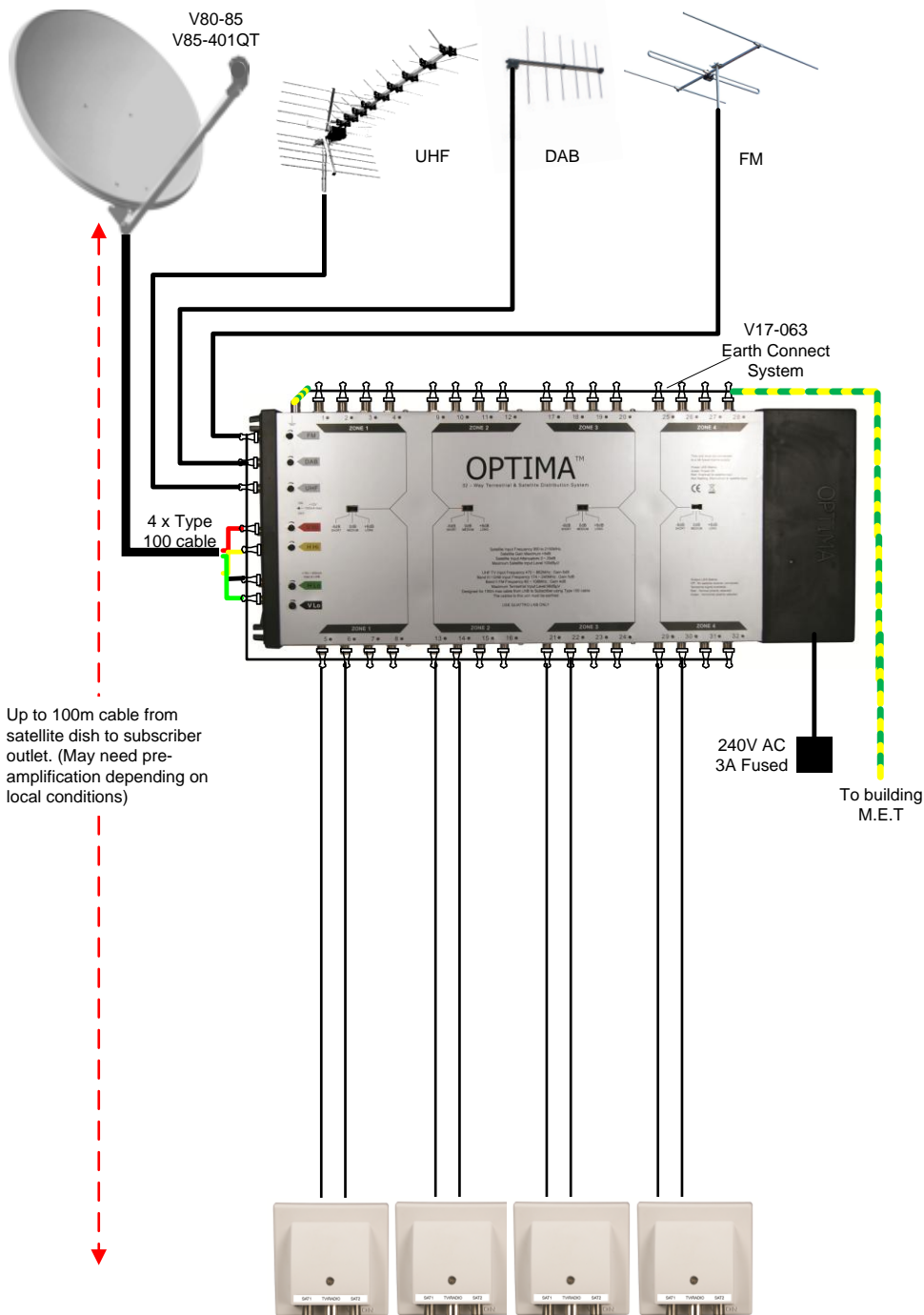
TSDS32 is designed for professional installation with a Quattro LNB and professional sized dish for reliable long-term reception.

** May require additional satellite and UHF pre-amplification to suit local conditions.

In the interests of product development and improvement we reserve the right to change specification, design and dimensions. Data correct at time of going to press

OPTIMA™

Data sheet



Up to 100m cable from satellite dish to subscriber outlet. (May need pre-amplification depending on local conditions)

32 subscriber cables (16 flats of Sky+HD)
Vision Slim N Fast™ V33-23PLUS Recommended

In the interests of product development and improvement we reserve the right to change specification, design and dimensions. Data correct at time of going to press

Vision Products (Europe) Ltd Unit 5 Redbourne Park,
Liliput Road, Brackmills, Northampton NN4 7DT
optima-tv.com
Company Reg No. 05044212

OPTIMA™

TSDS32 7-Input (FM, DAB, UHF, SAT x 4) 32 outputs



Model	OPTIMA TSDS32
No of outputs	32
No of inputs	4 x SAT+ 1 x FM + 1 x DAB + 1 x UHF (V Lo, V Hi, H Lo, H Hi,) (FM, DAB, UHF)
Input Frequency Range	SAT 950 to 2150MHz : FM 85 to 108MHz : DAB 216 – 240MHz : UHF 470 to 862MHz
Gain SAT / TERR	SAT 6dB : FM 4dB : DAB 5dB : UHF 6dB
Level Control	Input Level Control 0 -15dB Typical : Output Gain Control +6dB, 0dB, -6dB
Maximum input level SAT / Terrestrial	100dBµV / 96 dBµV
Maximum output level SAT (IMD ³ – 35dB) Terrestrial (IMD ³ -60dB)	SAT 91dBµV / 86 dBµV ±2dB
Isolation	SAT – SAT Inputs >28dB : SAT – Terr >39dB : Output – Output > 48dB
Connectors	F – female type
Output L.E.D status	Not illuminated Terrestrial Only : RED Vertical selected : Green Horizontal selected
Masthead Amplifier Power (switchable)	12V 100mA max
Maximum load to inputs	18V / 450mA
Power consumption at subscriber output	18V 100mA max
PSU LED Status	Green On : Power OK, Red On : Overload at LNB input, Red Flashing : Excessive LNB + SAT, L.E.D OFF No power or short circuit
Input mains voltage	240v AC 50Hz (UK plug BS1363 with 3A Fuse fitted)
Power (Excluding LNB)	9W
Earth Post	Single Screw 6mm ²
Dimension / Weight	590mm x 240mm x 53mm / 2.5kg

Note: We recommend that all coaxial cables connected to this multiswitch product are earthed in accordance with current legislation and codes of practice. Use V17-063A EARTH-CONNECT system available from your local aerial and satellite wholesaler..

In the interests of product development and improvement we reserve the right to change specification, design and dimensions. Data correct at time of going to press